



ADA-Series, Total Air System
High Temperature Dryers

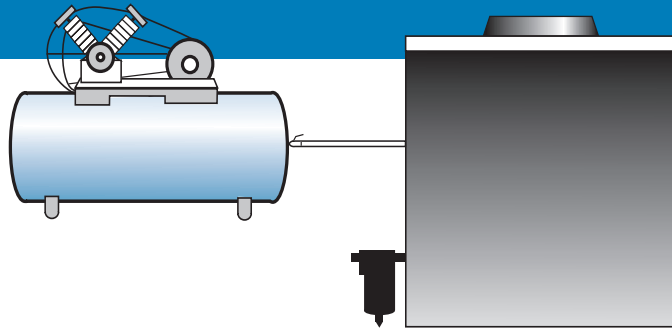
B E N E F I T S

- Eliminates water, oil and dirt from air system.
- Prevents damage to pneumatic tools and cylinders, adding to their lifetime use.
- Increases profitability and productivity.
- Virtually maintenance free.

F E A T U R E S

- Patented design, with built-in aftercooler/condenser with cycling fan.
- Automatic drain with solid state, programmable timer and manual override. (Particle strainer included)
- Easy installation power cord with three-prong plug supplied.
- Unit shipped with a full refrigerant charge and oil.
- cULus Industrial Control Panel w/ refrigerant suction gauge
- Durable powder-coated cabinet

FIVE COMPONENT. FIVE FUNCTION.



1. Integrated air cooled aftercooler
2. Refrigerated dryer
3. Centrifugal moisture separator
4. Electronic adjustable drain valve
5. Optional oil/dirt removing filter (coalescer)

Designed for easy four-step installation:

1. Connect compressor air outlet to dryer air inlet connection.
2. Assemble optional coalescing afterfilter to air outlet connection.
3. Pipe the connection to plant air system from optional afterfilter or air outlet.
4. Electrical-three-prong plug connects to grounded wall connection.

Max. working pressure: 200 psig

Inlet temperature: 180°F

Ambient temperature: 40°F min. 100°F max.

Note: Capacity and kW ratings are at full load at CAGI ADF-100 standard conditions of 100°F ambient and 100 psig (7 bar). Compressed air inlet temperature is rated at the extreme condition of 180°F (82°C).

Specifications

MODEL	39°F PDP SCFM	50°F PDP SCFM	Operating kW	Comp H.P.	In/Out Conn. Size	Refrigerant type	Dimensions LxWxH	Approx. Shipping Weight lbs (kg)
ADA-25	20	25	0.58	0.25	0.5" NPT	R-134A	17.5"x 18.75"x 17.75"	85 lbs. (38.6)
ADA-50	40	50	0.75	0.33	0.5" NPT	R-134A	28"x 20"x 30"	128 lbs. (58.1)
ADA-75	60	75	0.92	0.5	1" NPT	R-134A	28"x 18"x 40"	183 lbs. (83.0)
ADA-100	80	100	1.26	0.75	1" NPT	R-134A	28"x 18"x 40"	194 lbs. (89.0)
ADA-125	100	125	1.26	0.75	1" NPT	R-134A	28"x 18"x 40"	200 lbs. (90.7)

Standard voltage: 115-1-60, Optional: 208/230-1-60, 100-1-50, 220/240-1-50

On/Off switch, power On light, Hi-temp light, Drain test button, Drain adjustment knobs

Distributed by:



Pneumatech LLC
 4909 70th Avenue
 Kenosha, Wisconsin U.S.A. 53144
 (262) 658-4300 Fax: (262) 658-1945

www.pneumatech.com

Pneumatech reserves the right to change or revise specifications and product design in connection with any features of our products. Such changes do not entitle the buyer to corresponding changes, improvements, additions or replacements for equipment previously sold or shipped.

